







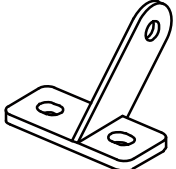
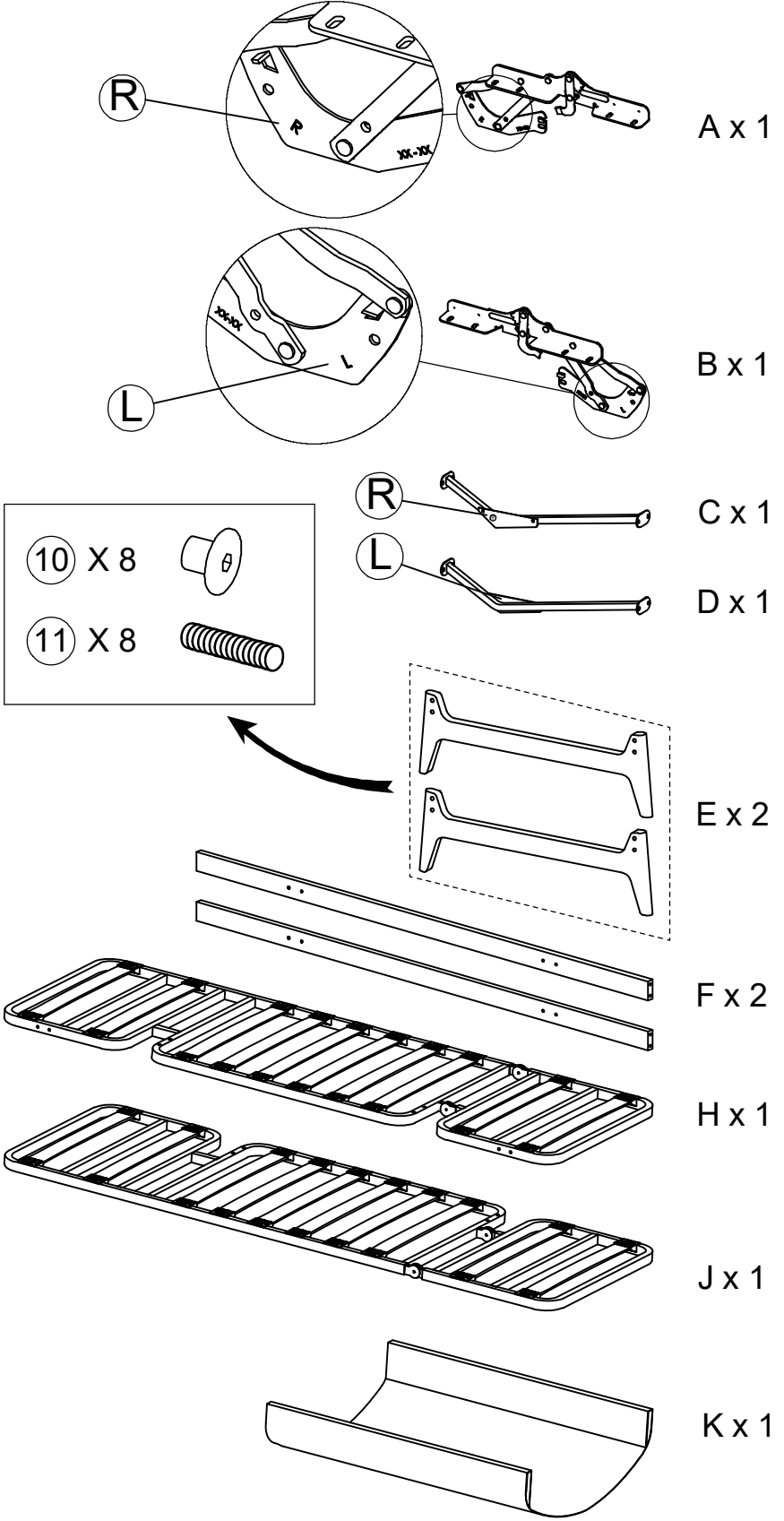
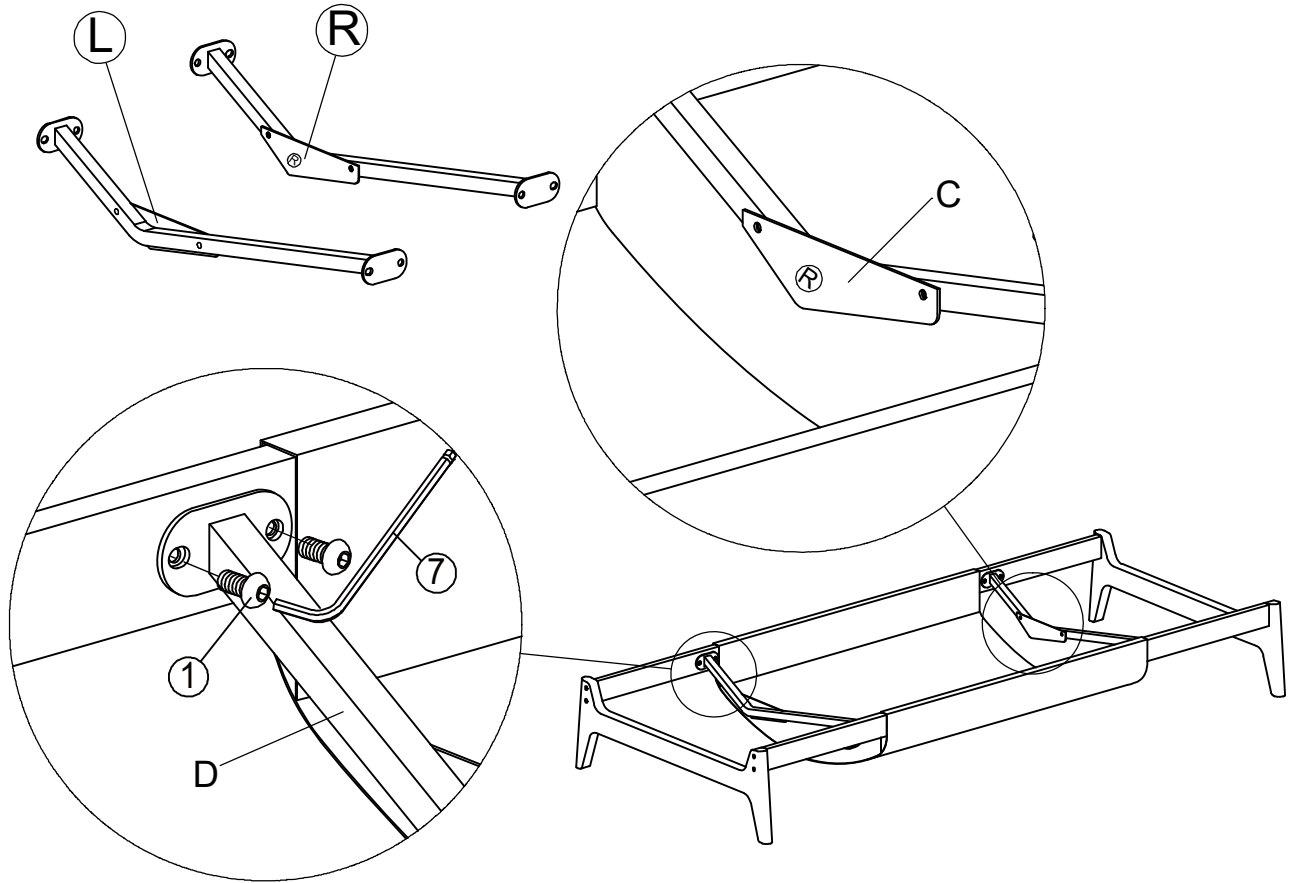


- ① X 20 
- ② X 2 
- ③ X 8 
- ④ X 8 
- ⑤ X 2 
- ⑥ X 1 
- ⑦ X 1 
- ⑧ X 2 
- ⑨ X 4 



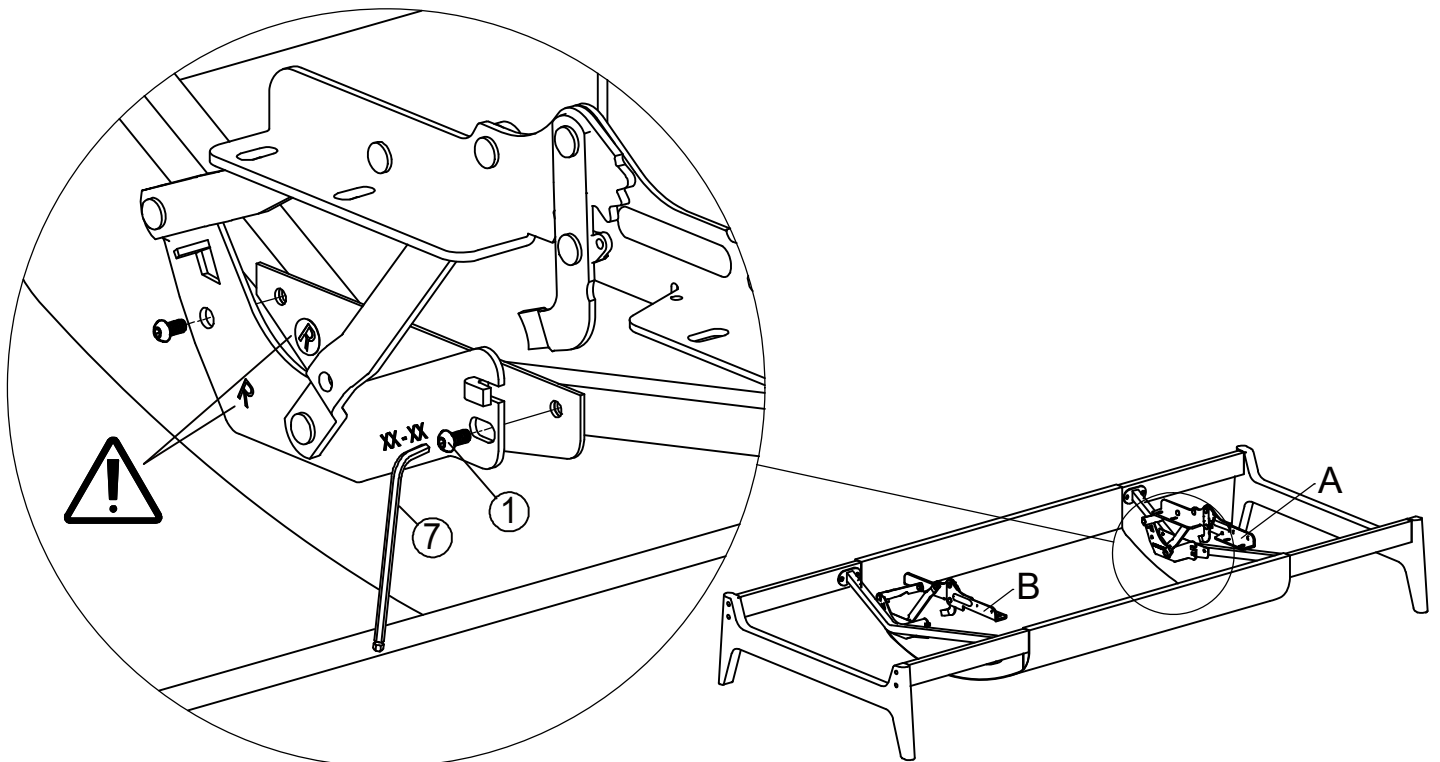
3

① X 8 

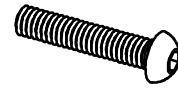


4

① X 4 



③ X 8



④ X 8



# 7-A

